

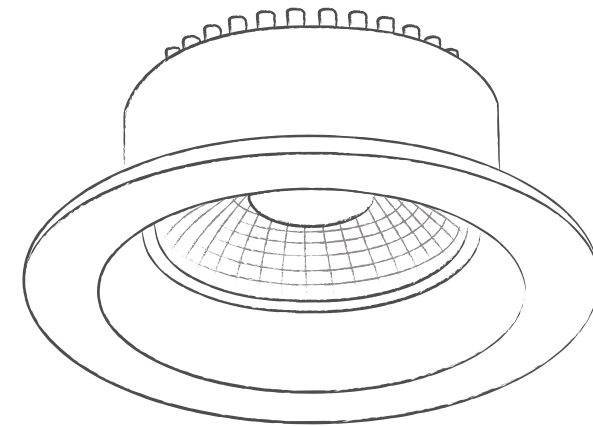
Econoled

INSTALLATION INSTRUCTIONS

Approvals

The RCM Marking on this product applies to AS/NZS CISPR15:20011 "Limits and methods of radio disturbance characteristics of electrical lighting and similar equipments." This product is designed in accordance with AS/NZS60598 "Luminaires, general requirements and tests".

Applicable for:	EC73
	EA73
	ER73



TREND
LIGHT BY SOLID STATE

Level 3, 290-292 Coward Street Mascot, NSW 2020
Ph: (02) 9669 8888 / Fax: (02) 9669 8899 / Email: sales@trendlighting.com.au



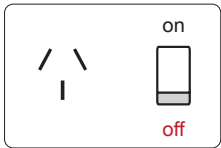
TREND
LIGHT BY SOLID STATE

Before Installation

Be sure to read this installation pamphlet in its entirety before commencing installation.

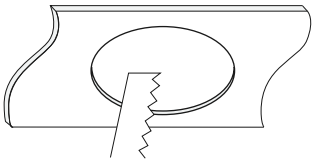
Always ensure mains power is switched OFF before commencing any electrical work.

Step 1



Always ensure mains power is switched OFF before commencing any electrical work.

Step 1



Cut Out

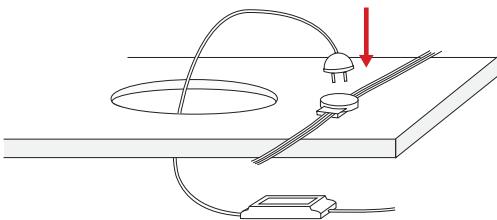
EC73: 76-92mm

EA73: 76mm

ER73: 78mm

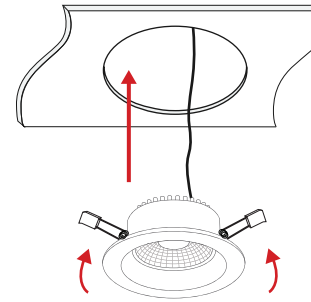
Please note: Ensure cut-out corresponds with selected fitting.

Step 2



Connect driver to 240v mains

Step 3



Bend springs upward and install luminaire into ceiling.

Important Safety Information

This product must be installed by a **licensed electrician** in accordance with AS/NZS 3000. Disconnect electricity before any installation.

No part of the luminaire should be modified, if the luminaire is damaged it should be returned to Trend Lighting.

The light source of this luminaire is not replaceable; when the light source reaches its end of life the whole luminaire shall be replaced.