



Scan to explore  
XDL55 online

# Maxiled XDL55

55W Adjustable Recessed Downlight

Product Code	Colour Temperature	Colour Technology	Beam Angle	Trim Colour	Insert Colour	Driver
XDL55	2.7 (2700K)	(CRI 90+ Standard)	MB (Medium)	W (White)	WI (White)	DALI (DALI)
	3 (3000K)	V (CRI 93+ VIVID)	WB (Wide)	B (Black)	BI (Black)	ND (Non-dimmable)
	3.5 (3500K)	R (CRI 97+ Standard)			SI (Silver)	
	4 (4000K)				GI (Gold)	

Order Code **XDL554-WB-W-ND**

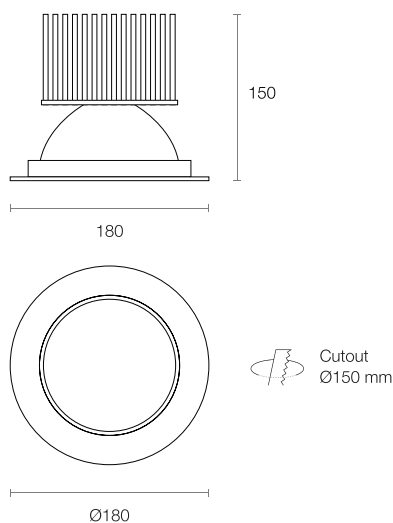


To configure this downlight, please visit  
[trendlighting.com.au/product/maxiled-XDL55](http://trendlighting.com.au/product/maxiled-XDL55)

## Physical Characteristics

Trim Colour	White   Black
Insert Colour	White   Black   Silver   Gold
Tilt Angle	35°
Dimensions	Ø180 x 150 (H) mm
Spring Height	35 mm
Cutout	Circular 150 mm
Weight	910 g

## Dimensions (mm)



## Product Features

- Recessed adjustable LED downlight available in a wide choice of trim colours and configurable inserts
- Equipped with large pressure cast aluminium heatsink for effective thermal management and sealed face with silicone gasket for increased ingress protection
- Alternate power options and sizes available ([XDL35](#) and [XDL40](#))
- CRI 90+ available in 2700K, 3000K, 3500K and 4000K CCT options; CRI 97+ and CRI 93+ VIVID available in 2700K, 3000K and 4000K CCT options
- Supplied with a remote driver

## Product Attributes



## Technical Characteristics

Based on XDL554-WB-W-WI-ND

LED Power	55W
LED Type	COB
Lumen Output	6908 lm
Luminous Flux	5083 lm
Efficacy	86.45 lm/W
Colour Temperature	2700K   3000K   3500K   4000K
Colour Technology	CRI 90+   CRI 93+ VIVID   CRI 97+
Colour Deviation	SDCM ≤ 2
Lifetime	50,000 hours (L80)
Beam Angle	Medium   Wide

System Power	58.8W Typical
Driver Model	Trend 150090-1000 (Non-dim)
Input	180-277V AC 50/60 Hz
Output	50-75V DC 1000mA
Power Factor	>0.90
Protection	OVP, OTP, OCP, SCP, OPP
Dimming	DALI   Non-dimmable

## General Characteristics

Category	Downlights
Family	Maxiled
Surface	Ceiling
Mounting	Recessed
Insulation Contact	Non-IC
Ingress Protection	IP20



Scan to explore  
XDL55 online

# Maxiled XDL55

55W Adjustable Recessed Downlight

Product Code	Colour Temperature	Colour Technology	Beam Angle	Trim Colour	Insert Colour	Driver
<b>XDL55</b>	2.7 (2700K)	(CRI 90+ Standard)	MB (Medium)	W (White)	WI (White)	DALI (DALI)
	3 (3000K)	V (CRI 93+ VIVID)	WB (Wide)	B (Black)	BI (Black)	ND (Non-dimmable)
	3.5 (3500K)	R (CRI 97+ Standard)			SI (Silver)	
	4 (4000K)				GI (Gold)	

Order Code **XDL554-WB-W-ND**

To configure this downlight, please visit  
[trendlighting.com.au/product/maxiled-XDL55](http://trendlighting.com.au/product/maxiled-XDL55)

## Trim Colour



W  
**White Trim**



B  
**Black Trim**

## Insert Colour



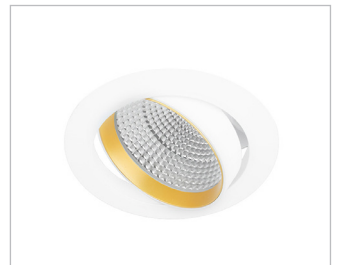
WI  
**White Insert**



BI  
**Black Insert**



SI  
**Silver Insert**



GI  
**Gold Insert**