



Scan to explore
ZTM35 online

Track Linear ZTM35

33W Track Mounted Adjustable Linear

Product Code	Colour Temperature	Colour Technology	Beam Angle	Trim Colour	Driver
ZTM35	3 (3000K)	(CRI 90+ Standard)	WB (Wide)	W (White)	ND (Non-dimmable)
	4 (4000K)			B (Black)	DALI (DALI)

Order Code **ZTM354-WB-B-ND**



Product Features

- Track mounted adjustable linear light known for its beam configuration and angular adjustment
- Designed with a high efficiency reflector providing smooth light distribution
- CRI 90+ available in 3000K and 4000K CCT options
- Supplied with universal 3 circuit track adapter for quick and easy installation on a variety of track systems
- Supplied with integral driver

Product Attributes

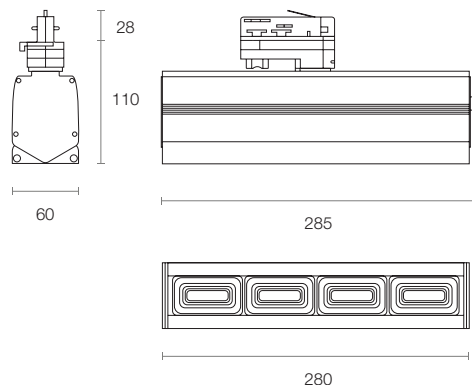


To configure this track light please visit
trendlighting.com.au/product/track-linear-ZTM35

Physical Characteristics

Trim Colour	White Black
Tilt Angle	60°
Rotation	350°
Dimensions (LxWxH)	285 x 60 x 138 mm
Weight	862 g

Dimensions (mm)



Technical Characteristics

Based on ZTM354-WB-B-ND

LED Power	33W
LED Type	SMD
Lumen Output	4680 lm
Luminous Flux	3510 lm
Efficacy	97.50 lm/W
Colour Temperature	3000K 4000K
Colour Technology	CRI 90+
Colour Deviation	SDCM ≤ 3
Lifetime	50,000 hours (L80)
Beam Angle	Wide
System Power	36W Typical
Driver Model	Trend 150026-1000 (Non-dim)
Input	220-240V AC 50/60 Hz
Output	30-40V DC 1000mA
Power Factor	>0.93
Protection	OVP, OTP, OCP, SCP, OPP
Dimming	Non-dimmable DALI

General Characteristics

Category	Track Systems (Track Light)
Family	Track Linear
Surface	Ceiling
Mounting	Track Mounted
Ingress Protection	IP20



Scan to explore
ZTM35 online

Track Linear ZTM35

33W Track Mounted Adjustable Linear

Product Code	Colour Temperature	Colour Technology	Beam Angle	Trim Colour	Driver
ZTM35	3 (3000K)	(CRI 90+ Standard)	WB (Wide)	W (White)	ND (Non-dimmable)
	4 (4000K)			B (Black)	DALI (DALI)

Order Code **ZTM354-WB-B-ND**

To configure this track light please visit
trendlighting.com.au/product/track-linear-ZTM35

Trim Colour

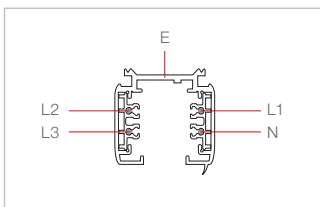


W
White Trim

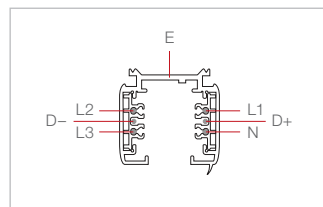


B
Black Trim

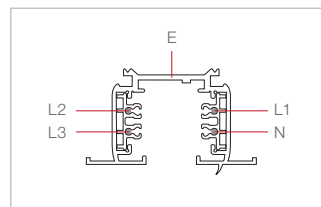
Compatible 3 Circuit Track Systems



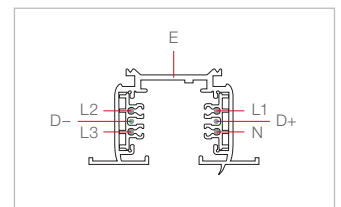
TRA3C
3 Circuit Track
Dimensions 33 x 35 mm
Max. Continuous Length 3000 mm
Track Colour White | Black | Silver



TRA3C-DALI
3 Circuit DALI Track
Dimensions 33 x 35 mm
Max. Continuous Length 3000 mm
Track Colour White | Black | Silver



TRA3CR
3 Circuit Recessed Track
Dimensions 56.2 x 35 mm
Max. Continuous Length 3000 mm
Track Colour White | Black | Silver



TRA3CR-DALI
3 Circuit Recessed DALI Track
Dimensions 56.2 x 35 mm
Max. Continuous Length 3000 mm
Track Colour White | Black | Silver