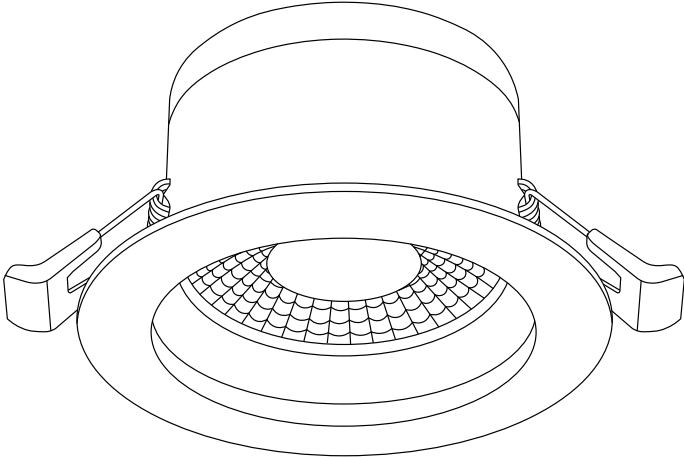


**5** Please ensure LED driver and CCT switch **(A)** are fixed above any insulation **(B)**. Push springs upward and install luminaire into ceiling **(C)**.

**6** Restore power once installation has been completed.

V2-20.07.2023 Product designs and technical data may be subject to change

# Econoled EC7 IP65 Rated Recessed Tricolour LED Downlight *Installation Guide*



Scan to explore  
EC7 online

**For warranty information, please visit**  
[trendlighting.com.au/warranty](http://trendlighting.com.au/warranty)

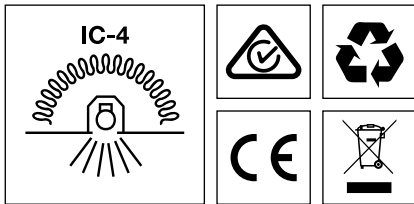
### Important Safety Information

Please read these installation instructions carefully before installing this luminaire.

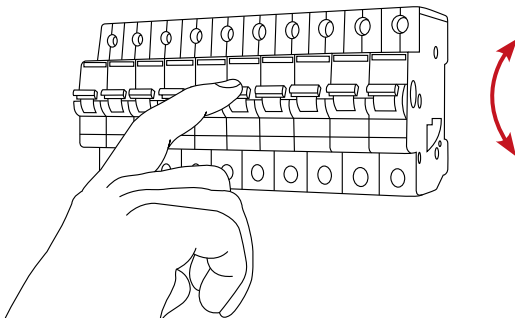
- This product must be installed by a licensed electrician in accordance with AS/NZS 3000 and local regulations.
- Isolate the mains power supply prior to installation.
- Only adjust the CCT switch when luminaire is powered off.
- Only reconnect mains power after installation is completed.
- No part of the luminaire should be altered or modified.
- This product is not user serviceable.

### Installation Notes

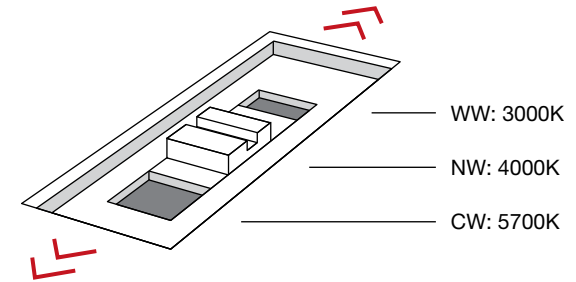
The Econoled range is IC-4 rated and can be installed in locations where it is covered or abutted with thermally insulating material in accordance with AS/NZS 60598.2.2:2016.



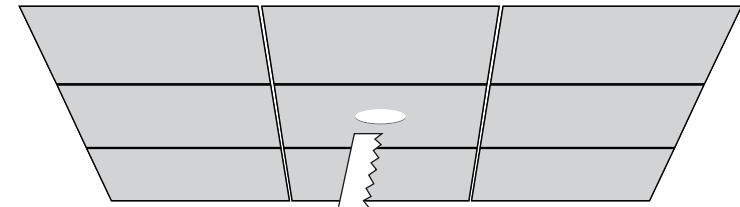
- 1** Isolate the mains power supply prior to commencing installation.



- 2** Only adjust the CCT switch when luminaire is powered off.  
CCT switch illustration is shown below.



- 3** Ceiling cutout: 76-92 mm



- 4** Connect luminaire to 240V plug socket.

